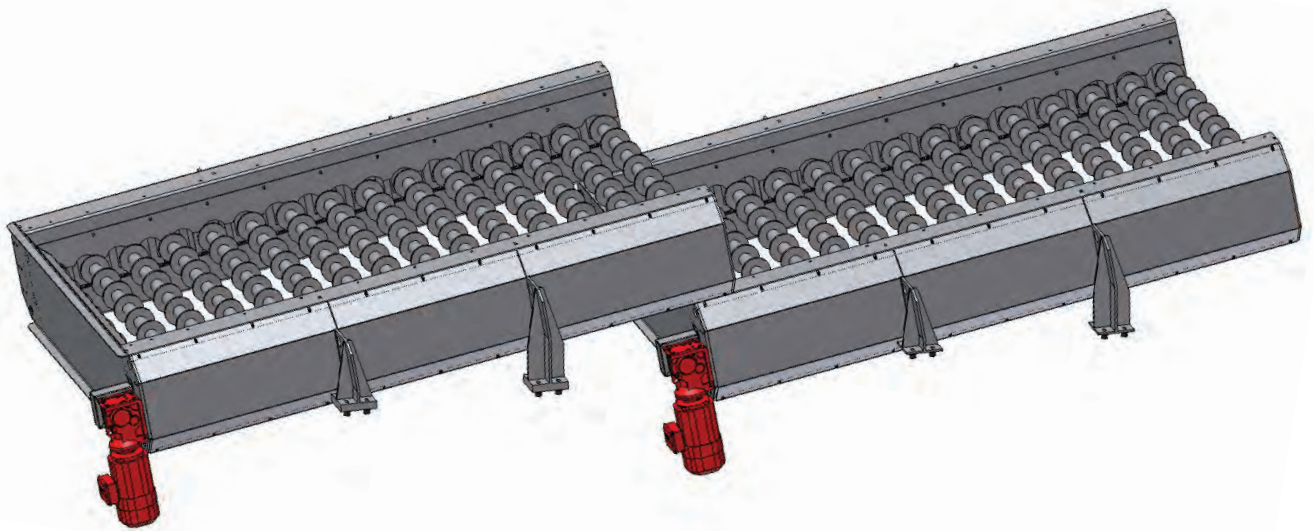


SEP-O-MAT Fine Screen



- Optimal subsequent treatment of mixed paper fraction
- Efficient screening of disruptive materials and small parts
- Reasonable price, long service life
- Additional improvement of performance and quality
- Loosened up and even material feeding to post-sorting
- Easy to clean
- Almost no danger of entangling through long foils or tapes
- Easy integration into existing sorting plants



Short Description

Use the SEP-O-MAT Fine screen for post-treatment of the mixed paper fraction. Producing a loose, even stream, the fine screen prepares the material in an optimal way for manual, mechanical or optical sorting. The oversize grain consists mainly of valuable de-inking material.

Working Principle:

After cardboards and cartons were singled out of the material stream on the coarse screen, the mixed paper fraction is presented to the fine screen. The fine screen separates disruptive and small materials automatically and easily. It can be adapted flexibly to actual demand, material composition, or required separating parameters. According to the required production capacity, a number of screen disc decks can be arranged as cascade.

Model 1.17

Throughput rate: 7 t/h
 Width: 1.700 mm
 Length: 4.000 mm
 Screen surface: 6,8 m²

Model 2.17

Throughput rate: 12 t/h
 Width: 1.700 mm
 Length: 6.000 mm
 Screen surface: 10,2 m²

Model 3.17

Throughput rate: 18 t/h
 Width: 1.700 mm
 Length: 9.000 mm
 Screen surface : 15,3 m²