

Destoner, types ST and ST D

For the separation of light and heavy particles

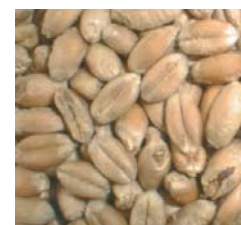


Type ST

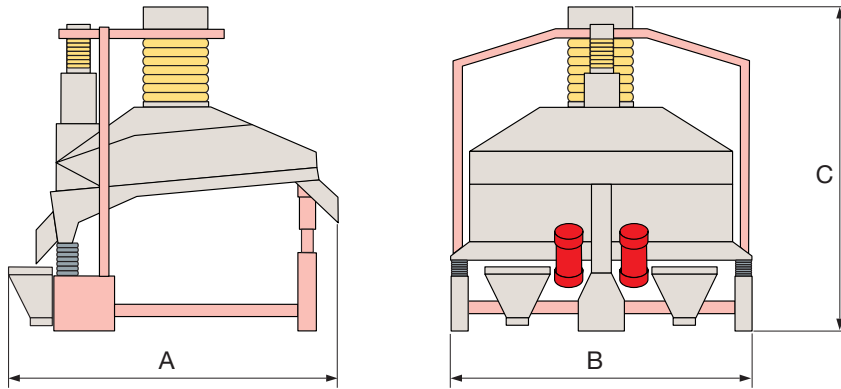
Powerful machine for the separation of heavy particles such as stones, glass and magnetic and non-magnetic metal parts from the main product.



Type ST D

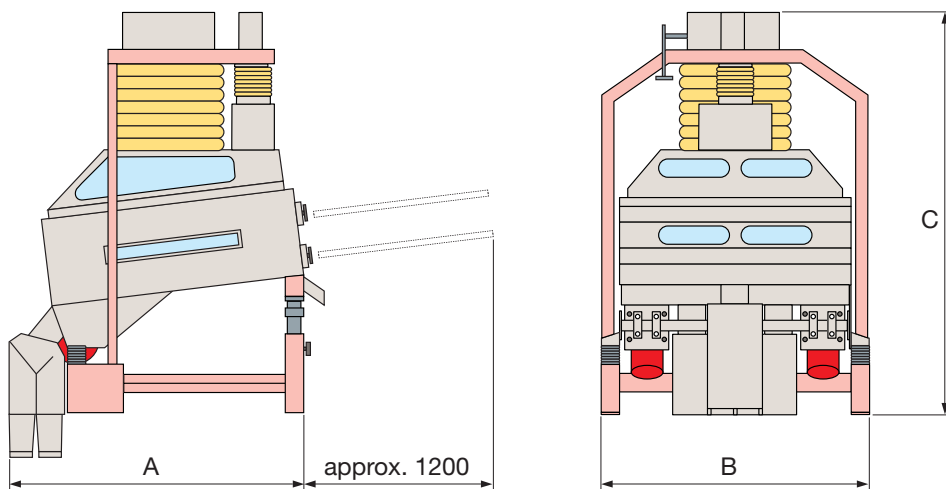


Destoner



Type ST

Type	Capacity		Motors [kW]	Aspiration system [m³/min]	Net weight [kg]	Volume [m³]	Dimensions		
	Paddy [t/h]	Heavy grain [t/h]					A [mm]	B [mm]	C [mm]
ST 1	3	4	2 x 0.19	40	250	2.4	1758	960	1730
ST 2	5	8	2 x 0.35	80	300	4.5	1758	1608	1730
ST 3	8	12	2 x 0.35	120	460	6.5	1758	2205	1730



Type ST D

Type	Capacity		Motors [kW]	Aspiration system [m³/min]	Net weight [kg]	Volume [m³]	Dimensions		
	Paddy [t/h]	Heavy grain [t/h]					A [mm]	B [mm]	C [mm]
ST D 1	6	8	2 x 0.35	90	350	4.2	1630	1058	2180
ST D 2	10	14	2 x 0.68	150	450	5.6	1630	1450	2180
ST D 3	14	20	2 x 0.68	240	700	8.2	1630	2000	2180