

VERTICONE VPC 320 (patented)

Conical Whitening Machine for Rice



Mode of operation

Vertical whitening from top to bottom. The Verticone VPC operates with abrasive conical discs with air-feed openings in between. The small diameter of the conical whitening rotor is placed at the top, right underneath feeding section while the big diameter is placed at the bottom, before the outlet section.

The product is conveyed to the machine by a vertical feeding pipeline. A conical distributor within the round inlet bin divides the product uniformly to the feeding worm which feeds the product into the whitening chamber.

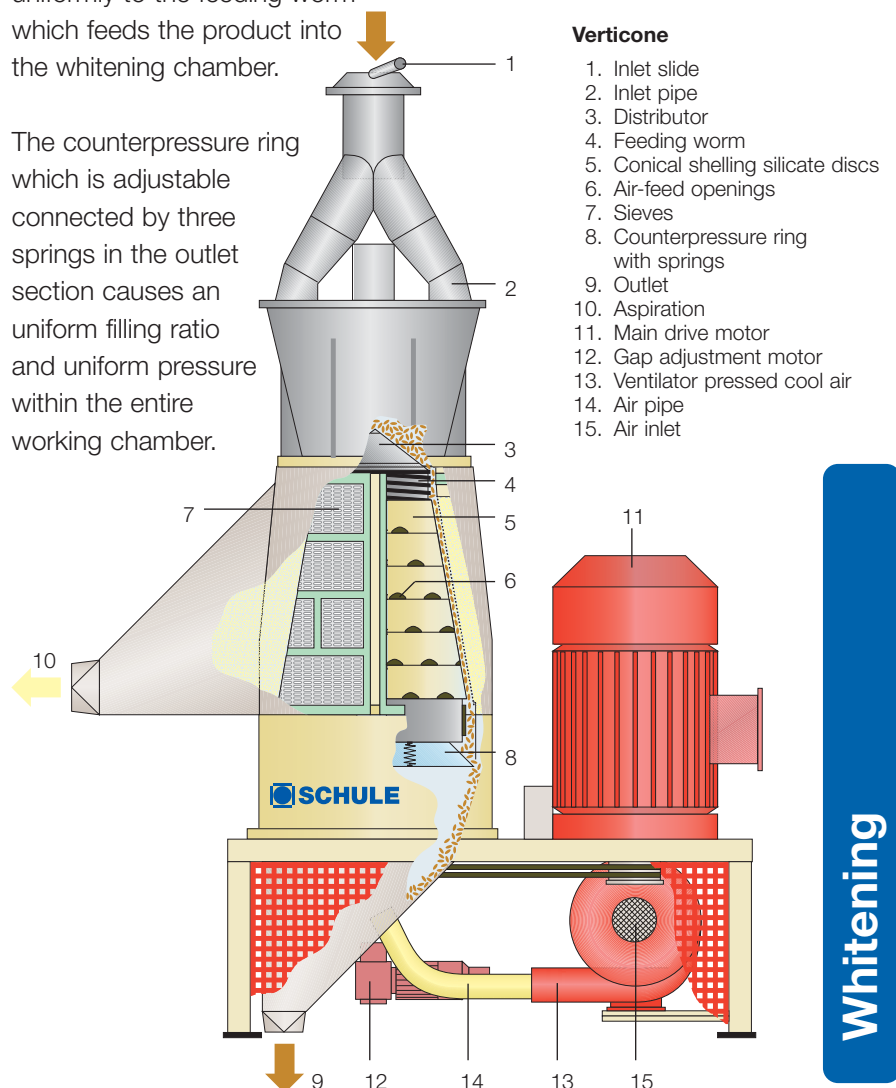
The counterpressure ring which is adjustable connected by three springs in the outlet section causes a uniform filling ratio and uniform pressure within the entire working chamber.

This ensures a gentle and uniform whitening of the product.

Around the whitening chamber are distributed 3 adjustable brakes. These brakes assure a uniform filling ratio and whitening degree.

As a optional feature you can use a ventilator for additionally cool pressed air.

Air cools the product during the whitening procedure and supports the discharge of the bran. The bran is removed by a separate aspiration system.



Whitening

Verticone VPC 320 (patented)

The whitening degree is influenced by the following parameters:

- Throughput capacity per hour
- Gap adjustment between stones and sieves
- Position of the brakes
- Counterpressure ring

Conical whitener for gentle milling of rice

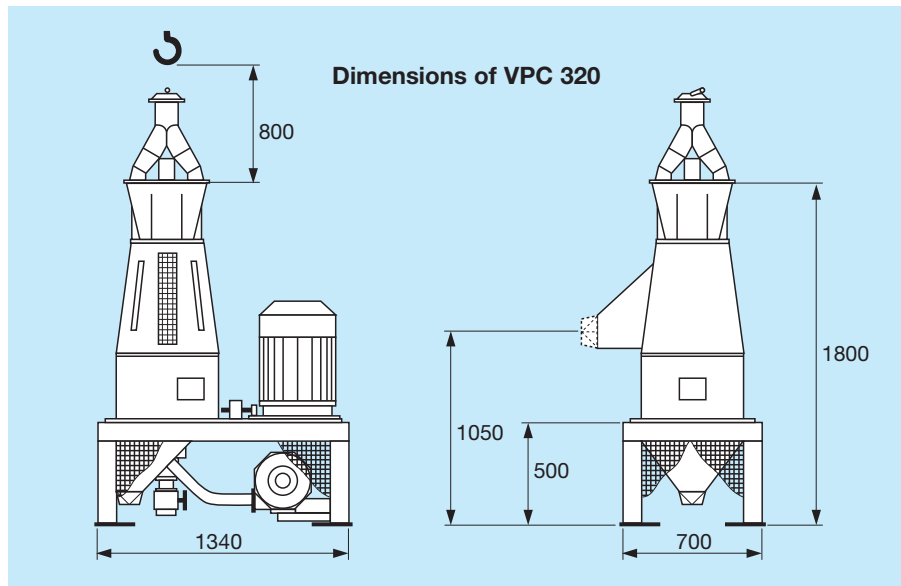
- State of the art conical milling concept
- Abrasive silicate discs for buy lifetime
- Low speed on top for gentle starting and less broken
- Variable gap-setting enabled by adjusting the height of the whitening rotor
- New outlet design to avoid high pressure to the rice



Sieve



Whitening rotor



The capacity depends on required whitening degree, number of passes, and quality/uniformity of product.

Technical Data

Capacity Cargo Rice	Motor Capacity		Air Capacity of Ventilator		Bran Pneumatic		Net	Shipping Weight	Volume Data
Long-grain	Main Drive	Ventilator (50 Hz)							
to/h	kW	kW	m ³ /min	daPa WC	m ³ /min	daPa	kg	kg	m ³
3.0 – 7.0	37	1,0	10.5	510	40	150	1200	1500	2.8

We reserve the right to deviate from illustrations and data as improvements are constantly being made.



F. H. SCHULE Mühlenbau GmbH

Dieselstraße 5-9
 D - 21465 Reinbek / Hamburg
 Phone: +49 (0)40 7 27 71 - 700
 Fax: +49 (0)40 7 27 71 - 710

schule@amandus-kahl-group.de

www.schulefood.de

