

Safe Solutions for Your Success:



## Individual Conditioning Systems for Hygienic Treatment



### Hydrothermal conditioner and expander

Temperature: 70 - 140 °C

Flexible retention time:  
10 - 60 min.

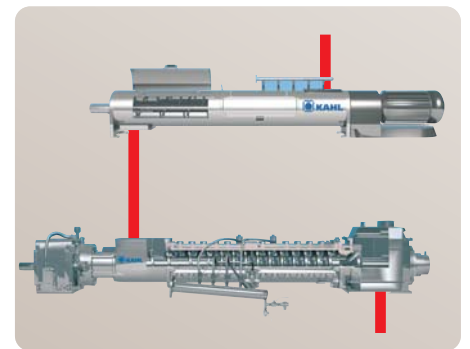
- Proven technology for high-quality feeds
- Precise process parameter control
- Easy to operate and maintain



### VarioPlus conditioner

Temp.: 50 - 95 °C

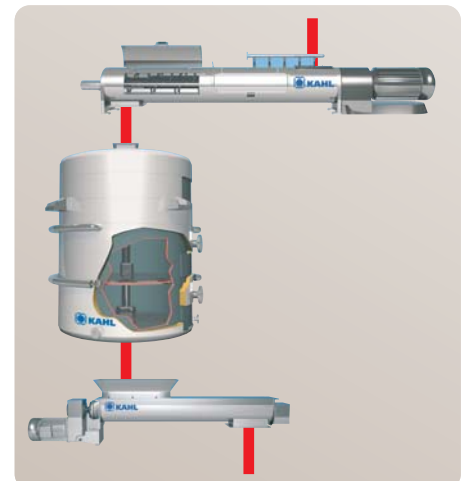
Retention time: 30 - 240 s



### Short-term conditioner and expander

Temp.: 90 - 140 °C

Retention time: 5 - 30 s



### Long-term conditioner

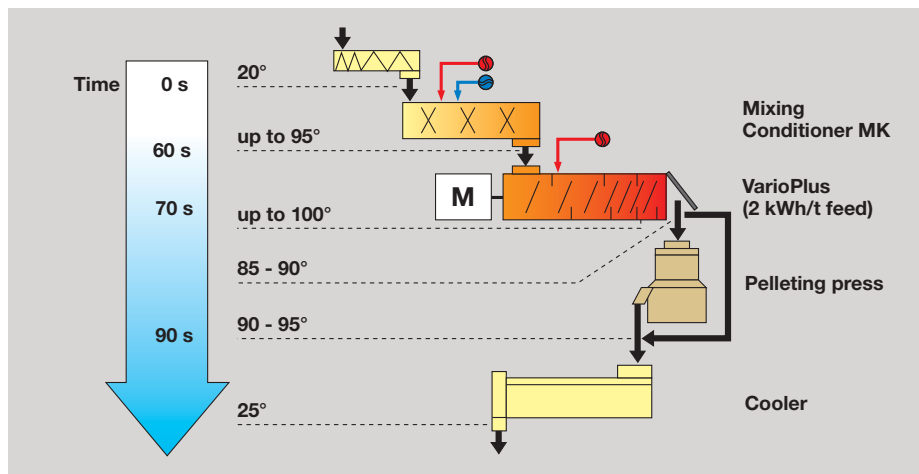
Temp.: 70 - 100 °C

Retention time: 2 - 10 min.

# KAHL Hygiene Concept:

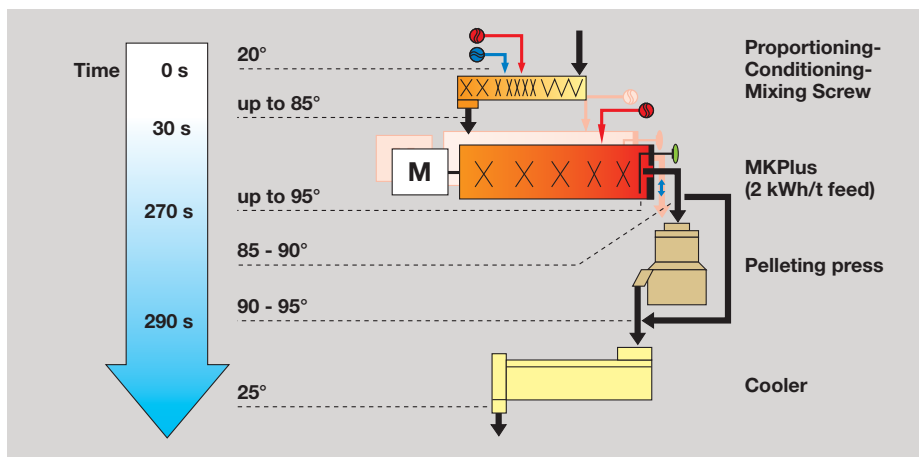
## “HygienePlus”

Uniform temperature and moisture distribution in the product



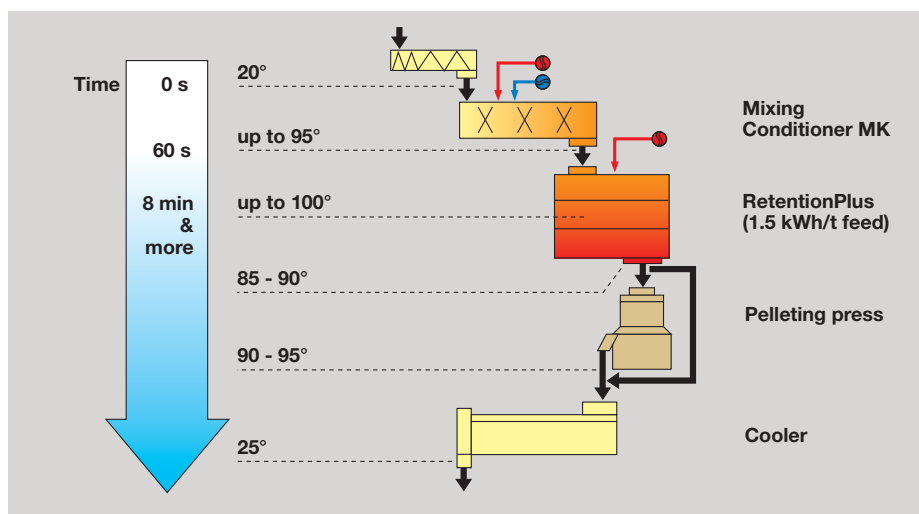
### Concept: KAHL “VarioPlus”

- Very good hygienisation
- Kneading effect is more effective than retention time
- Less moisture, temperature by means of friction
- Improvement of the feed value
- First-in-first-out principle
- Small batches
- High flexibility
- Modification to expander possible
- Low construction height
- Higher press capacity and pellet quality



### Concept: KAHL “MKPlus”

- Very good conditioning
- Improvement of the feed value
- First-in-first-out principle
- Variable filling quantity
- Variable capacity
- High flexibility
- Low construction height
- Temperature by means of friction, 2 kWh/t



### Concept: KAHL “RetentionPlus”

- Very good hygienisation
- Ideal for mash feed
- Retention time up to 8 min. and more
- Improvement of the feed value
- First-in-first-out principle
- High flexibility
- Can be combined with the expander for the treatment of mono-components
- Better pellet quality
- Higher press capacity



**AMANDUS KAHL GmbH & Co. KG**

Dieselstrasse 5-9  
 D-21465 Reinbek / Hamburg  
 Phone: +49 (0)40 727 71 - 0  
 Fax: +49 (0)40 727 71 - 100  
 info@amandus-kahl-group.de  
[www.akahl.de](http://www.akahl.de)