



GP-SERIES SIEVE UNIT

TURNER PROCESS EQUIPMENT LIMITED offers an extensive range of pre-cleaning and cleaning equipment for applications within the cereals, foods and materials processing and handling industries.

The TURNER GP-Series Sieve Unit provides a versatile cleaning solution designed to enhance both productivity and efficiency. Although predominately developed for commercial cleaning applications prior to processing the unique design characteristics can also be applied to numerous fine cleaning applications, dependent of level of screen specification required.

Available in four standard sizes, the GP-Series Sieve Unit can achieve capacities of up to 40tph, dependent on adopted screening method, product and density. Standard machine design is inclusive of aspirated feed spout, to assist with the removal of light impurities, thus ensuring efficient product screening is achieved.



The screening action of the GP-Series Sieve Unit is provided by the unique TURNER Mono-Plano drive unit. The resulting gentle linear movement ensures both low operating noise and vibration levels.

The GP-Series Sieve Unit can be supplied with single, double and triple screening decks, dependent on level of separation. Each screening deck consists of a series of cartridge screens, inclusive of cleaning balls, which are available in either traditional timber or aluminium construction forms.

Varying screening media is available, dependent on product, and can be supplied in either mild or stainless steel formats. Special applications can also be accommodated such as stainless steel contact parts, flexible and/or fixed dust covers and tailor-made feed and discharge hoppers.

TURNER's can also supply various ancillary equipment to complete any given application inclusive of:-

- Cyclones/Dust Filtration Equipment.
- Exhaust Fans.
- Exhaust Ducting & Interconnecting Spoutwork.
- EP-Operating Slides & Valving.
- Mechanical Handling Equipment.
- Secondary/Complementary Process Plant.

TURNER PROCESS EQUIPMENT LIMITED

5 De Grey Square, De Grey Road, Colchester, Essex, CO4 5YQ, United Kingdom
T: +44 (0) 1206 752017 F: +44 (0) 1206 854484
E: sales@turnerprocessequipment.co.uk W: www.turnerprocessequipment.co.uk



GP-SERIES SIEVE UNIT

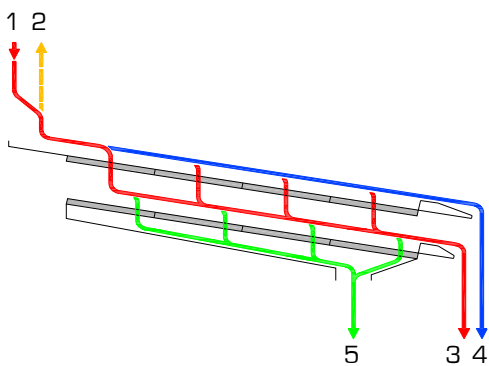


DIMENSIONS:	A	B	C	D	E	F	G
GP62	907mm	1801mm	1917mm	350mm	2233mm	2106mm	135mm
GP64	1511mm	1971mm	2179mm	533mm	2267mm	2117mm	318mm
GP84	1511mm	2144mm	2352mm	533mm	2844mm	2666mm	318mm
GP85	1817mm	2144mm	2377mm	572mm	2844mm	2666mm	357mm

PRODUCT:	CLEANING METHOD:	GP62 (tph)	GP64 (tph)	GP84 (tph)	GP85 (tph)
Wheat	General Purpose	10	20	30	40
Barley	General Purpose	8	16	24	32
Maize	General Purpose	9	18	27	36
Rape Seed	General Purpose	6	12	18	24
Peas	General Purpose	5	10	15	20
Beans	General Purpose	5	10	15	20
Sunflower	General Purpose	4	8	12	16
Soya Bean	General Purpose	7	14	21	28
Rice	General Purpose	8	15	23	30
Pellets	General Purpose	3	6	10	14
Crumbs	General Purpose	2	4	6	7
Extrusions	General Purpose	5	10	15	20
Tea	General Purpose	3	7	10	12
Flakes	General Purpose	4	7	11	15

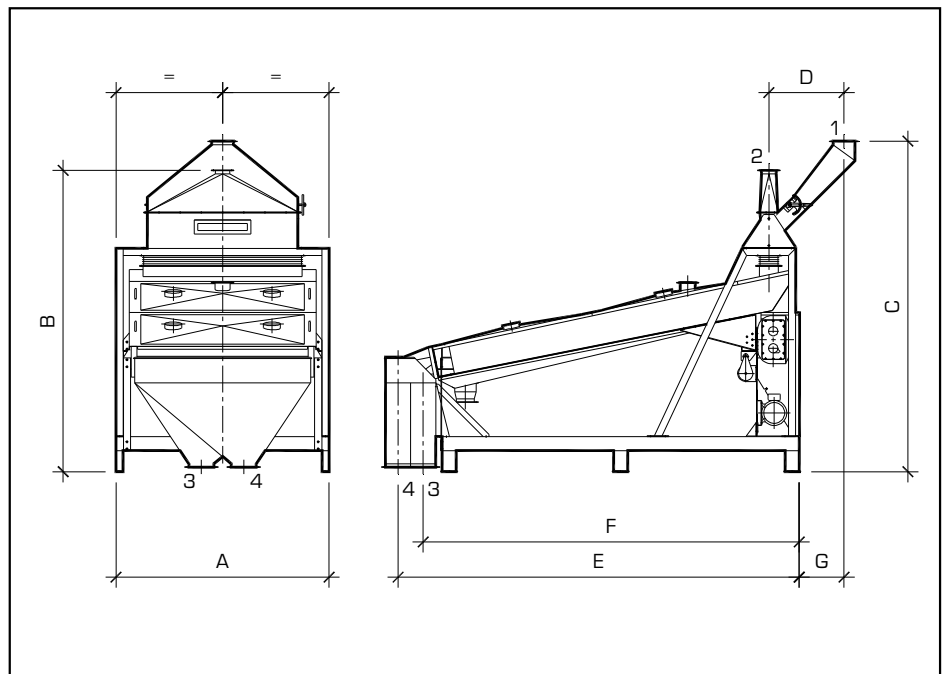
DESCRIPTION:	GP62	GP64	GP84	GP85
Screen Area: (m2)	2.04	3.80	5.00	7.0
Aspiration Air Volume (m3/Hr)	600	600	600	600
Power: (kW)	0.75	0.75	0.75	1.10

SCREENING SCHEMATIC



- 1. Product Inlet
- 2. In-Feed Aspiration
- 3. Product Outlet
- 4. Overs Outlet
- 5. Fines Outlet

NB: Additional screening and bespoke solutions available inclusive of triple and single deck screens, aspirated discharge systems and high capacity models. Please contact Turner Process Equipment Limited for further details.



TURNER PROCESS EQUIPMENT LIMITED

5 De Grey Square, De Grey Road, Colchester, Essex, CO4 5YQ, United Kingdom
 T: +44 (0) 1206 752017 F: +44 (0) 1206 854484
 E: sales@turnerprocessequipment.co.uk W: www.turnerprocessequipment.co.uk